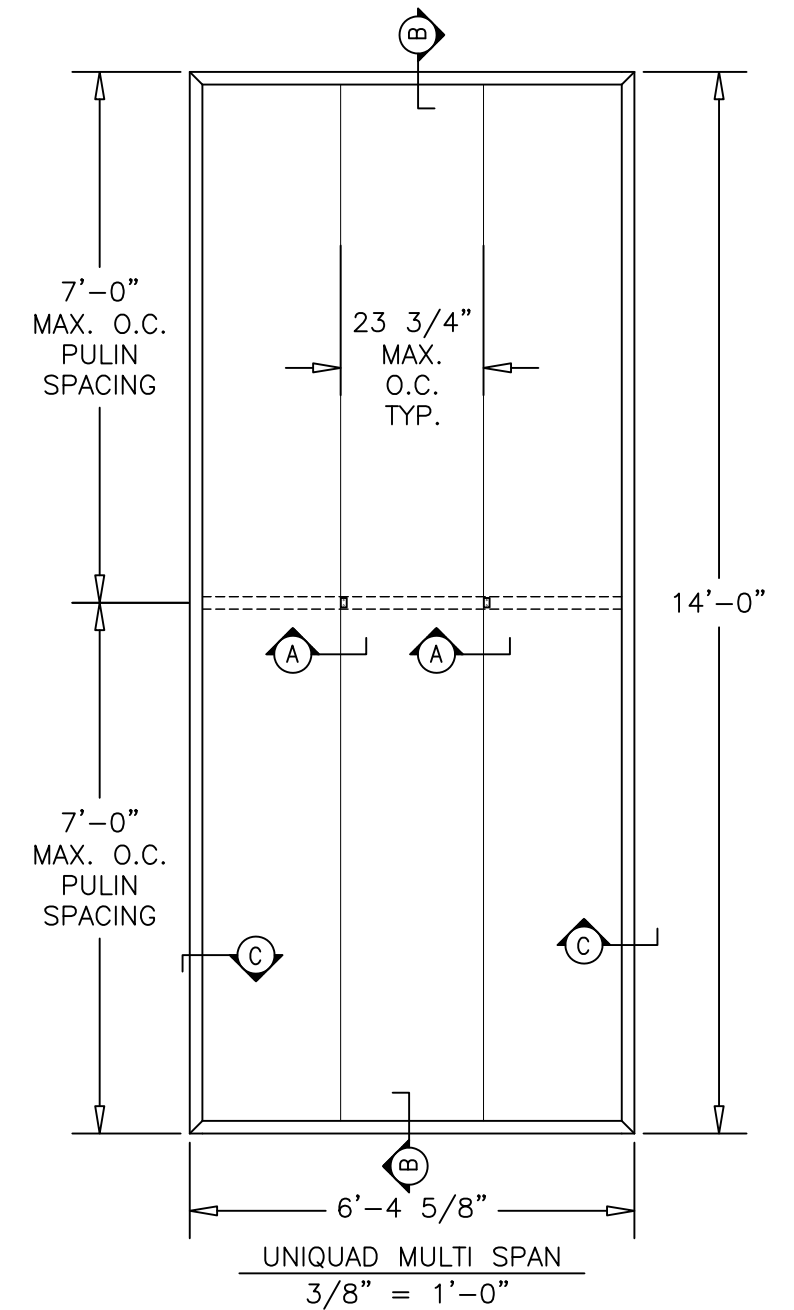
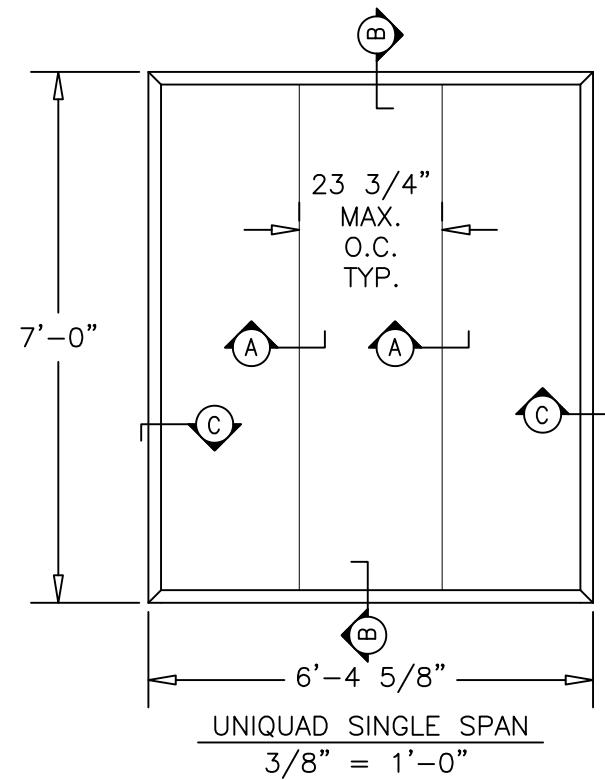
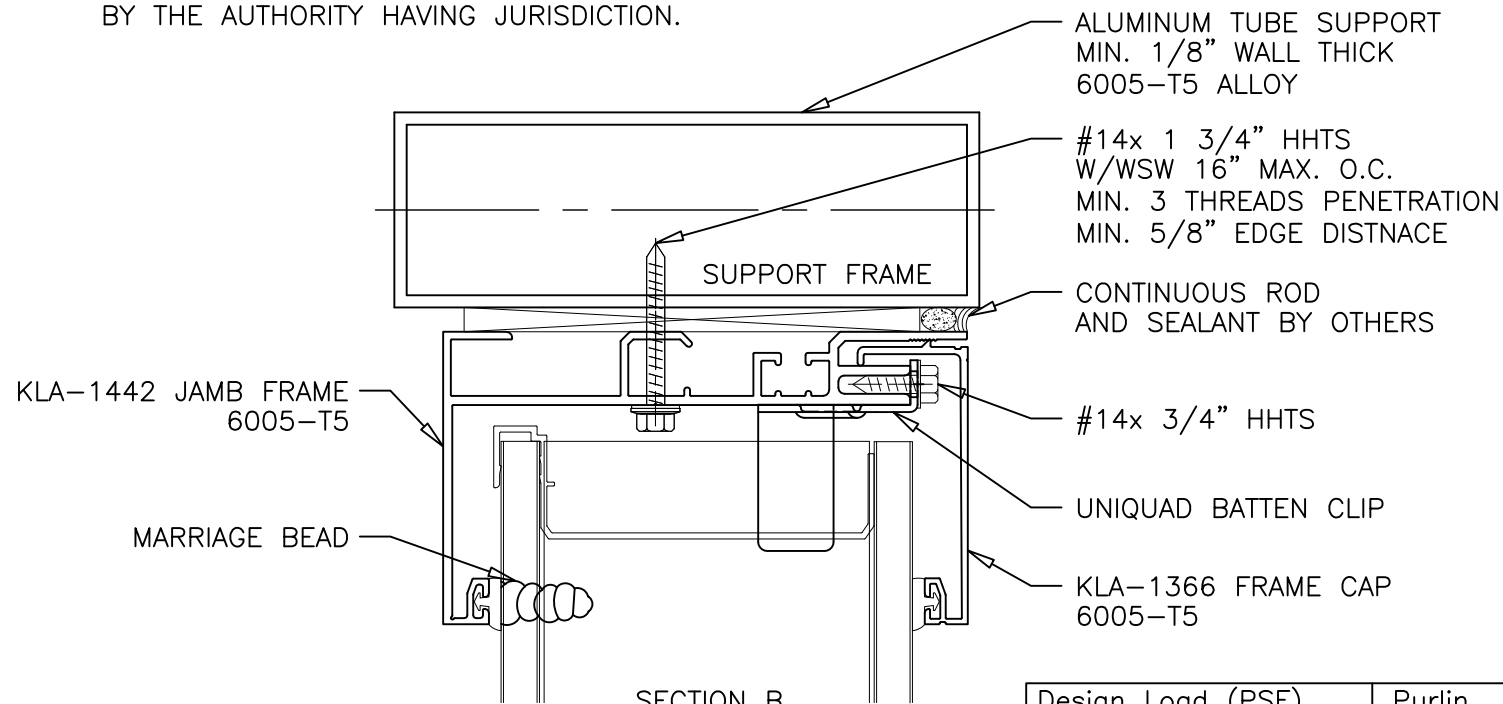
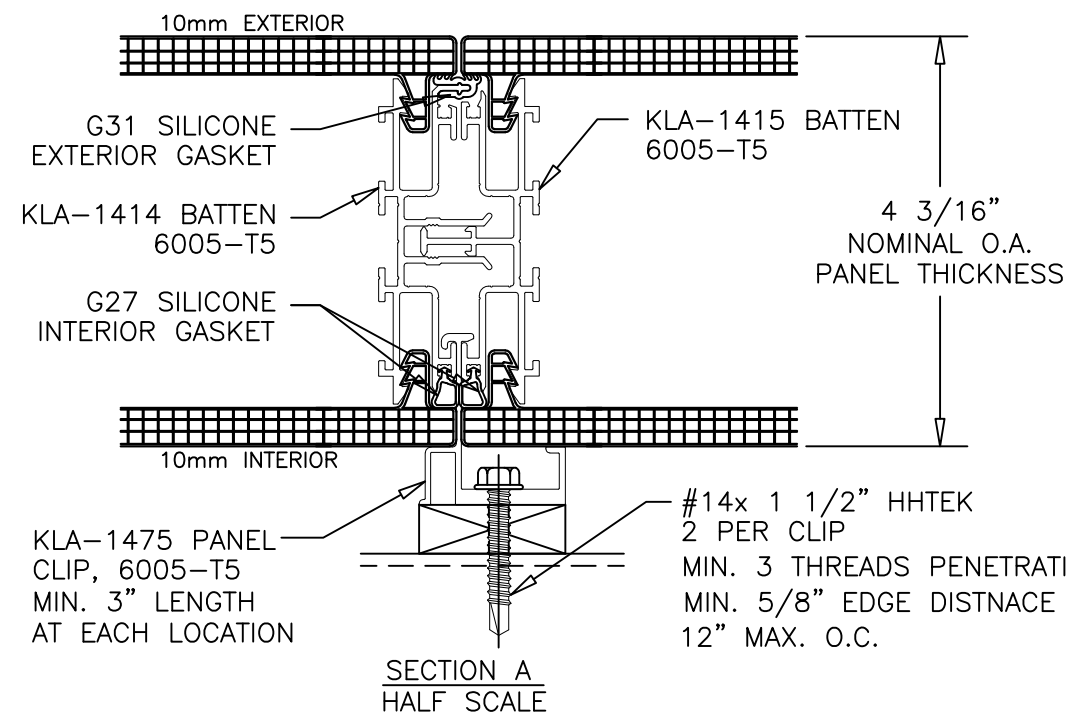
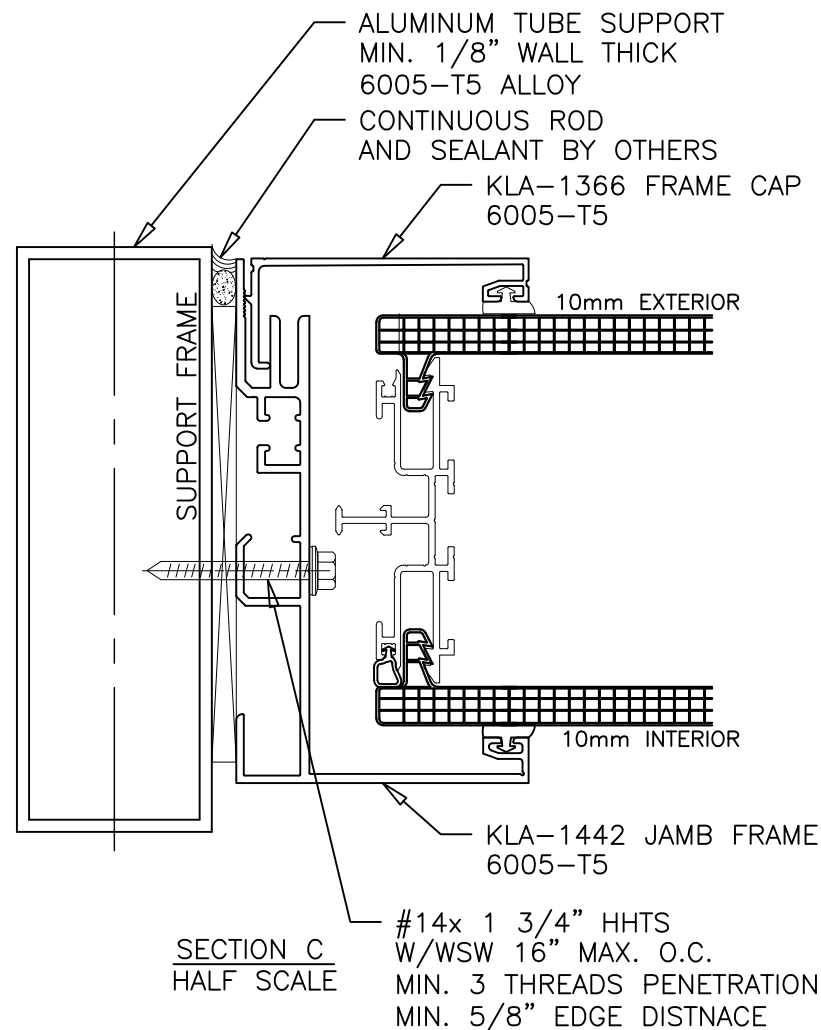


1. MAX. DESIGN PRESSURE APPLIES TO ASSEMBLIES SUCH THAT PURLIN & BATTEN SPACING ARE NOT TO EXCEED AS SHOWN HEREIN.
2. STRUCTURAL ADEQUACY OF SUPPORTING SUBSTRUCTURE IS NOT PART OF THIS APPROVAL AND SHALL BE REVIEWED BY THE AUTHORITY HAVING JURISDICTION.



Design Load (PSF) With 1.5 Safety Factor	Purlin Spacing	Span	Max. Deflection in HVHZ for Batten L/180	Max. Deflection in NONHVHZ for Batten L/120
+/-85 PSF	5'-0"	MULTI	0.33"	0.50"
+/-95 PSF	7'-0"	SINGLE	0.47"	0.70"
+/-60 PSF	7'-0"	MULTI	0.47"	0.70"



PROJECT: UNIQAD (HVHZ) (IMPACT)
 INSTALLATION INSTRUCTION, VERTICAL WALL
 ARCHITECT: _____
 ERECTOR: _____
 DRAWING NO. KLA007
 DRAWN BY MS
 DATE 6/13/23
 CHECKED BY
 DATE
 SHEET NO. 1 of 1

